



Zip HydroTap G4 Boiling & Chilled with Industrial Tap side touch

®

Zip HydroTap G4 Boiling | Chilled | Filtered | Instantly

Industrial Side-Touch models IS160/125G4, IS160/175G4, IS240/175G4

With new Zip G4 power-saving technology and Zip 0.2 micron filtration.

Vandal-resistant side-touch model giving boiling and chilled filtered water instantly.

Designed specifically for custodial centres.

IP67-rated side-touch tap gives boiling filtered water and chilled filtered water instantly.

High strength tapered base is fastened to an under-bench clamp block via a high strength steel spine, reinforcing the whole length of the tap shank, making the installation vandal-resistant.

Adjustable water temperature: boiling water 100°C to 68°C, chilled water 5°C to 14°C.

Power-Pulse™ electronic technology maintains the set boiling water temperature within 0.2°C.

Sleeps at 64°C or powers OFF after 2 hours of non-use.

Inbuilt 24/7 on/off timing allows power to be turned on and off for set weekday or weekend periods.

Zip 0.2 micron filter puts crystal-clear, better-tasting water on tap, filtering out chlorine taste and odour, lead, and impurities as tiny as one five-thousandth of a millimetre, including protozoan cysts such as Cryptosporidium, but does not remove beneficial fluoride.

New under-sink Zip Command Centre™ leads the world in time-saving and energy-saving technology, reducing standby energy consumption by up to 55% over earlier models of similar capacity.

Typical Specification

"Under-sink boiling and chilled filtered water appliance with side-touch water flow controls, and equipped with integral 5 bar pressure limiting and dual check valve, 0.2 micron water filter, air cooled refrigeration system with cleanable lint filter, an interactive touch screen display with password protection." Quality ISO 9001

Can be installed away from any sink with the optional ZT007 'font' kit accessory.

Zip HydroTap Industrial Side-Touch models with new Zip G4 power-saving technology.

Model	Boiling Cups/hr	Chilled Glasses/hr	Rating (kW) @ 230 V	Dimensions W x D x H (mm)
IS160/125G4	160	125	2.05	450 x 470 x 335
IS160/175G4	160	175	2.1	450 x 470 x 335
IS240/175G4	240	175	2.1 + 2.2 (a)	450 x 470 x 335

Standard Cup = 167 ml. Standard Glass = 200 ml. (a) Model IS240/175G4 is installed with an externally mounted 2.2 kW booster unit and must be connected to two separate 13 amp fused spurs.

Boiling System

Open outlet, vented system, factory set to operate at 98°C.
Flow rate 4.0 l/min.

Chilling system

Fan-cooled condenser type, factory set to operate at 5-9°C.
Flow rate 4.0 l/min.
Refrigerant R134a.

Location

Tap must be positioned so that it drains into a suitable sink. Tap should be situated as closely as possible to directly above the under-sink Command Centre. Maximum distance from the base of the tap to the Command Centre is one metre. Command Centre must have clearances as shown on the drawings. Ventilation accessories (supplied) must be installed as per instructions.

Plumbing

Must be installed in accordance with UK Water Supply Regulations.
Designed for direct connection to a potable (drinkable) cold water supply with a minimum pressure of 0.7 bar (1.7 bar if fitted with booster unit or scale filtration). A 5 bar pressure limiting valve is fitted internally. An isolating valve should be installed between the water supply and the Command Centre.

Electrical

Installation must comply with current IEE regulations.
Models 160/125 and 160/175 to be wired to a double pole 13 amp fused spur. Model 240/175 is installed with an externally mounted 2.2kW booster unit and must be connected to two separate double pole 13 amp fused spurs.

Caution

In hard water areas where mineral scale accumulation may be an issue, consideration should be given to the maintenance required.
We recommend use of the Zip Professional high performance limescale filtration system.

Accessories

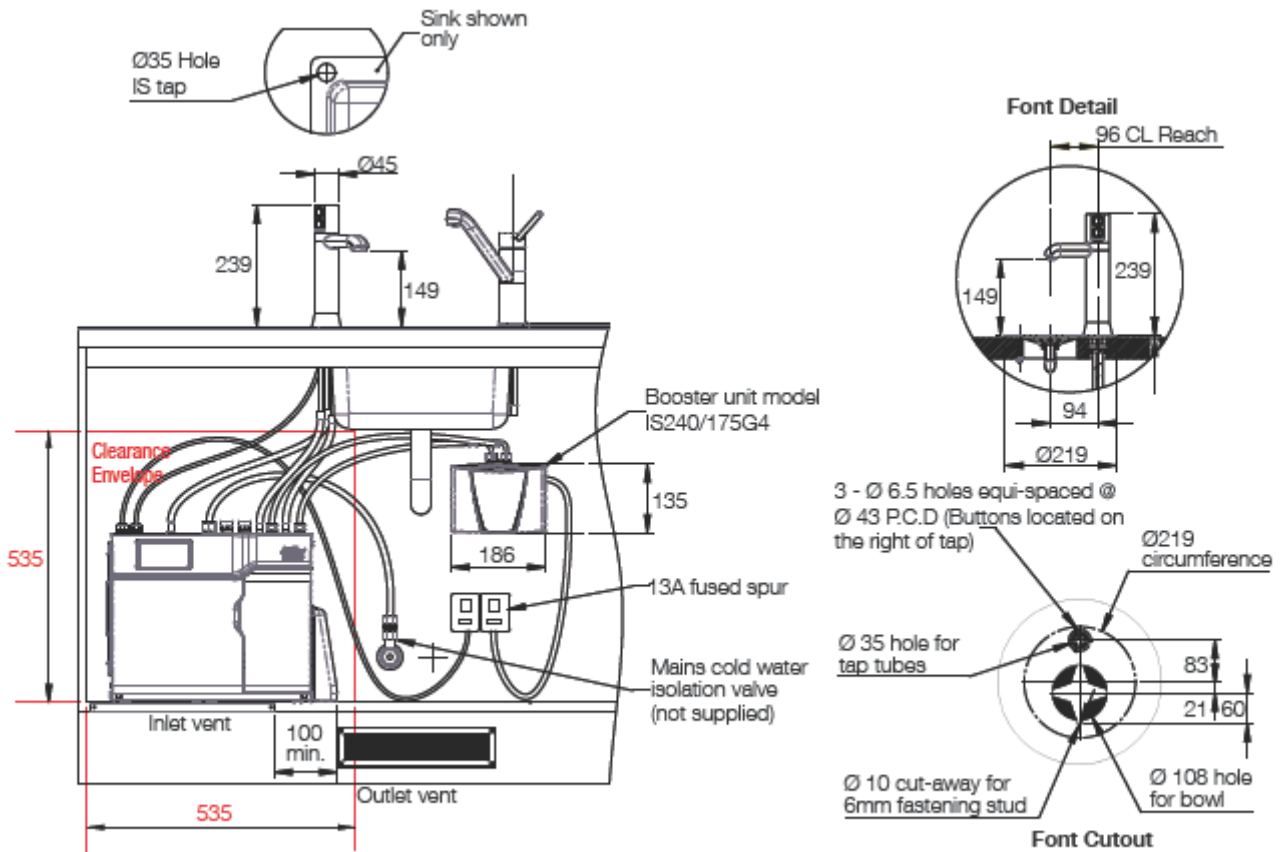
ZT402 – Zip 0.2 micron replacement filter. ZT007 – Zip font installation kit IS models.

Approvals

CE endorsed.

Five Year Warranty

Appliance warranty 24 months, plus additional 36 months tank warranty. See website for details.



Dimensions in mm

Zip Specification Sheet Z0539 - April 2014

As Zip policy is one of continuous product improvement changes to specifications may be made without prior notice. The terms 'Zip', 'Power-Pulse', 'HydroTap' and 'Command Centre' are trade marks.