

Zip HydroTap® G4

Chilled | Filtered | Instantly

Commercial models C125G4, C175G4

With new Zip G4 power-saving technology and Zip 0.2 micron filtration.



Simple to install on any kitchen sink.



New under-sink Zip Command Centre™ leads the world in time-saving and energy-saving technology, reducing standby energy consumption substantially over earlier models of similar capacity.

Typical Specification

"Under-sink chilled filtered water appliance equipped with integral 5 bar pressure limiting and dual check valve, 0.2 micron water filter, air cooled refrigeration system with cleanable lint filter, an interactive touch screen display with password protection."



Can be installed away from any sink with the optional ZT008 'font' kit accessory.

Chilled filtered drinking water always on tap from a new, space-saving Command Centre.

Adjustable chilled water temperature: 5°C to 14°C.

New low-energy integral cross-ventilation system to optimise water chilling efficiency.

Choice of fingertip control for fast glass filling (lever down) or bottle filling (lever up).

Low-energy lights signal when chilled water is ready, or filter change is due.

Inbuilt 24/7 on/off timing allowing power to be turned off for weekday or weekend periods.

Zip 0.2 micron filter puts crystal-clear, better-tasting water on tap, filtering out chlorine taste and odour, lead, and impurities as tiny as one five-thousandth of a millimetre, including protozoan cysts such as Cryptosporidium but does not remove beneficial fluoride.

Appliance warranty
24 months, plus additional
36 months tank warranty.



Zip HydroTap Commercial models with new Zip G4 power-saving technology.

Model	Chilled Glasses/hr	Rating (kW) @ 230 V	Dimensions W x D x H (mm)
C125G4	125	0.2	336 x 476 x 335
C175G4	175	0.25	336 x 476 x 335

Standard Glass = 200 ml.

(a) Order codes shown here are for chilled water tap installed on a sink. To install chilled tap on a 'font' also specify a font kit: order code ZT008.

Chilling System

Fan-cooled condenser type, factory set to operate at 5-9°C.

Flow rate 4.0 l/min.

Refrigerant R134a.

Location

Tap must be positioned so that it drains into a suitable sink, or be installed on the optional "tap font kit" which is plumbed to waste. Tap should be situated as closely as possible to directly above the under-sink Command Centre. Maximum distance from the base of the tap to the Command Centre is one metre. Command Centre must have clearances as shown on the drawings. Ventilation accessories (supplied) must be installed as per instructions.

Plumbing

Must be installed in accordance with UK Water Supply Regulations.

Designed for direct connection to a potable (drinkable) cold water supply with a minimum pressure of 0.7 bar. A 5 bar pressure limiting valve is fitted internally.

An isolating valve should be installed between the water supply and the Command Centre.

Electrical

Installation must comply with current IEE regulations.

To be wired to a double pole 13 amp fused spur.

Accessories

ZT008 – Zip G4 font installation kit.

ZT402 – Zip 0.2 micron replacement filter.

Approvals

CE endorsed

Technical Support

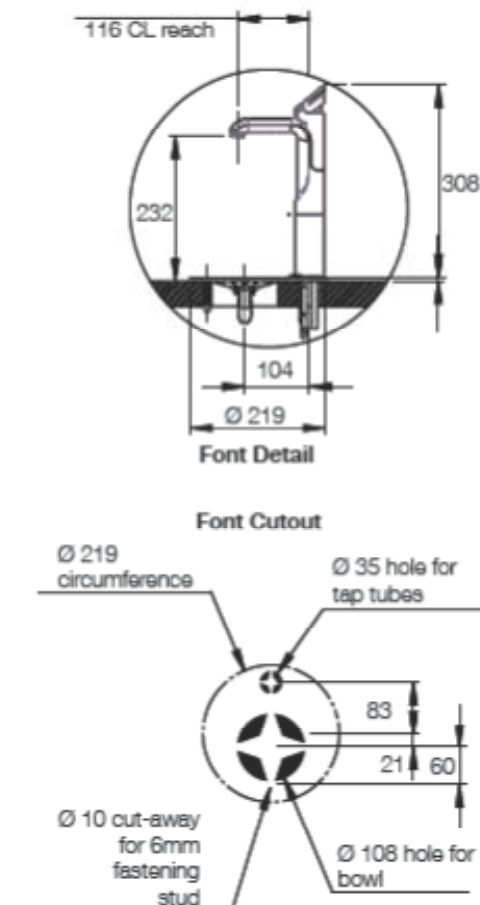
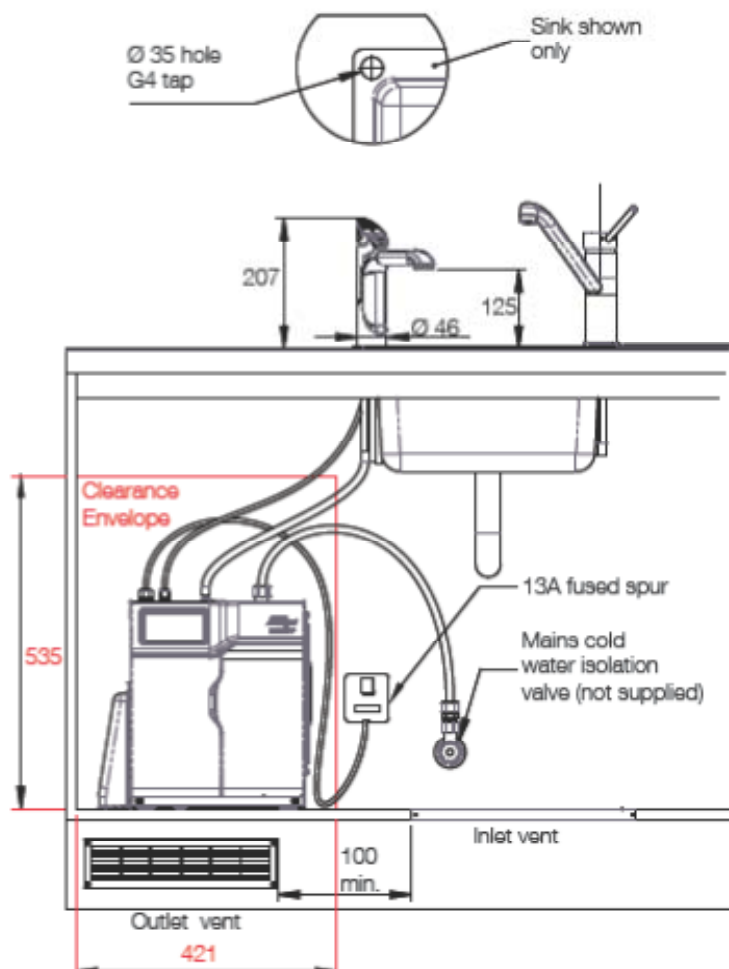
Contact Zip on

Tel: 0845 6 005 005

e-mail: service@zipheaters.co.uk

Two Year Warranty

See website for details.



Dimensions in mm