

## Zip HydroTap G4 Boiling only, Filtered + Hot/Cold 3-In-1 with Square Mixer

### Zip HydroTap<sup>®</sup> G4 Boiling | Filtered | Instantly | + Hot/Cold

#### Commercial 3-In-1 model BHS160G4

With new Zip G4 power-saving technology and Zip 0.2 micron filtration.

**Boiling filtered water instantly, plus hot & cold. Separate taps for boiling water and hot/cold.**



**No separate hot water supply** needed. This vented system mixes boiling water with cold water for its hot water supply.

**Adjustable water temperature:** boiling water 100°C to 68°C. **Power-Pulse™ electronic technology** controls the set boiling water temperature within 0.2°C.

**Choice of fingertip control** for fast cup filling (lever down) or **hands-free** pot filling (lever up).

**Two safety modes.** Can be set to require finger-thumb operation for boiling water access, eliminating the risk of accidental use. Can also be set to place boiling water in **“isolation mode”** for added safety.

**Low-energy lights** signal when boiling water is ready, or filter change is due.

**Hidden light sensor** sends appliance to sleep to conserve energy whenever the room goes dark.

**Sleeps at 64°C or powers OFF** after 2 hours of non-use.

**Plus inbuilt 24/7 on/off timing** allowing power to be turned off for weekday or weekend periods.

**Zip 0.2 micron filter** puts crystal-clear, better-tasting water on tap, filtering out chlorine taste and odour, lead, and impurities as tiny as one five-thousandth of a millimetre, including protozoan cysts such as Cryptosporidium but does not remove beneficial fluoride.

*New under-sink Zip Command Centre™ leads the world in time-saving and energy-saving technology, reducing standby energy consumption substantially over earlier models of similar capacity.*

#### Typical Specification

“Under-sink boiling filtered water appliance equipped with boiling water tap and separate hot/cold mixer plus integral 5 bar pressure limiting and dual check valve, 0.2 micron water filter, an interactive touch screen display with password protection and two boiling-water safety modes.”

*Alternative: installed away from sink on a ZT008 ‘font’.*

#### Zip HydroTap Commercial 3-In-1 models with new Zip G4 power-saving technology.

Classic	Model	Boiling Cups/hr	Rating (kW) @ 230 V	Dimensions W x D x H (mm)
BH160G4	Tall Tap BHT160G4	Square Tap BHS160G4	160	1.85 280 x 313 x 335
BH240G4	BHT240G4	BHS240G4	240	1.85 + 2.2 (b) 280 x 313 x 335

Standard Cup = 167 ml. (a) Order codes shown here are for boiling water tap installed on a sink. To install boiling tap on a ‘font’ also specify a font kit: order code ZT008. (b) Model BH240G4 is installed with an externally mounted 2.2 kW booster unit and must be connected to two separate 13 amp fused spurs.

#### Boiling System

Open outlet, vented system, factory set to operate at 98°C.

Flow rate 4.0 l/min.

## Location

Both taps should be positioned so they drain into a suitable sink. Alternatively the boiling water tap can be installed away from any sink on its own 'font'.

The boiling water tap should be situated as closely as possible to directly above the under-sink Command Centre.

Maximum distance from the base of the tap to the Command Centre is one metre. Command Centre must have clearances as shown on the drawings.

## Plumbing

Must be installed in accordance with UK Water Supply Regulations.

Designed for direct connection to a potable (drinkable) cold water supply with a minimum pressure of 2.0 bar. A 5 bar pressure limiting valve is fitted internally. An isolating valve should be installed between the water supply and the Command Centre.

## Electrical

Installation must comply with current IEE regulations.

Model 160 to be wired to a double pole 13 amp fused spur. Model 240 is installed with an externally mounted 2.2kW booster unit and must be connected to two separate double pole 13 amp fused spurs.

## Caution

In hard water areas where mineral scale accumulation may be an issue, consideration should be given to the maintenance required.

We recommend use of the Zip Professional high performance limescale filtration system.

## Accessories

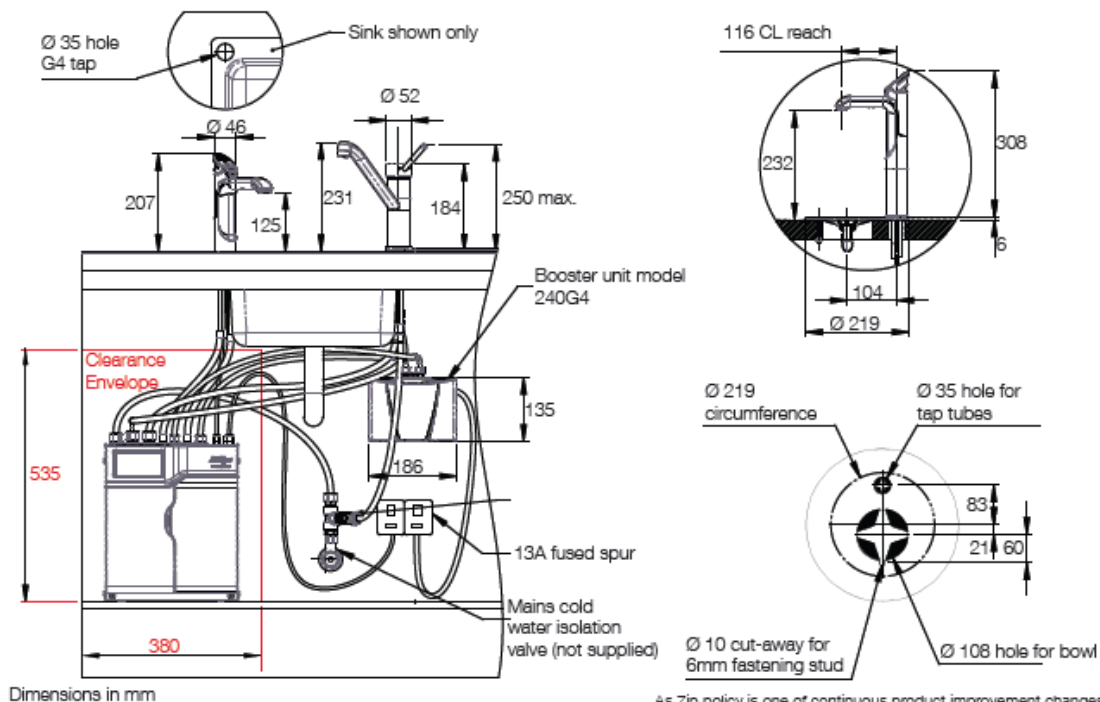
ZT008 – Zip G4 font installation kit. ZT402 – Zip 0.2 micron replacement filter. To order any model to be supplied with extension levers and Braille pads, add D to the end of the Order Code.

## Approvals

CE endorsed

## Five Year Warranty

Appliance warranty 24 months, plus additional 36 months tank warranty. See website for details.



Dimensions in mm

Zip Specification Sheet Z0546 - April 2014

As Zip policy is one of continuous product improvement changes to specifications may be made without prior notice. The terms 'Zip', 'Power-Pulse', 'HydroTap' and 'Command Centre' are trade marks.

11a Wood Road  
Dromore  
Co Down  
N Ireland  
:hern Ireland  
3T25 1LG  
28 92 699200  
28 92 692745

www.spatec.co.uk  
e: info@spatec.co.uk.com