

Zip HydroTap G4 Boiling, Chilled, Filtered Instantly 4-In-1 Square Tap

Zip HydroTap[®] G4 Boiling | Chilled | Filtered | Instantly
| + Hot/Cold

Commercial 4-In-1 models BCHS160/125G4, BCHS240/175G4 and BCHS240/175G4

With new Zip G4 power-saving technology and Zip 0.2 micron filtration.

Zip HydroTap 4-In-1 with Square Tap

Boiling & chilled filtered water, plus hot & cold. Separate taps for boiling/chilled and hot/cold.

No separate hot water supply needed. This vented system mixes boiling water with cold water for its hot water supply.

Adjustable water temperature: boiling water 100°C to 68°C, chilled water 5°C to 14°C. **Power-Pulse™ electronic technology** controls the set boiling water temperature within 0.2°C.

Choice of fingertip control for fast cup filling (lever down) or **hands-free** pot filling (lever up).

Two safety modes. Can be set for finger-thumb operation for boiling water access, eliminating the risk of accidental use. Can also be set to place boiling water in **“isolation mode”** for added safety.

Low-energy lights signal when boiling water is ready, chilled water is ready, or filter change is due. **Hidden light sensor** sends appliance to sleep to conserve energy whenever the room goes dark.

Sleeps at 64°C or powers OFF after 2 hours of non-use. **Plus inbuilt 24/7 on/off timing** allowing power to be turned off for weekday or weekend periods.

Zip 0.2 micron filter puts crystal-clear, better-tasting water on tap, filtering out chlorine taste and odour, lead, and impurities as tiny as one five-thousandth of a millimetre, including protozoan cysts such as Cryptosporidium but does not remove beneficial fluoride.

New under-sink Zip Command Centre™ leads the world in time-saving and energy-saving technology, reducing standby energy consumption by up to 55% over earlier models of similar capacity.

Typical Specification

“Under-sink boiling and chilled filtered water appliance equipped with boiling/chilled tap and separate hot/cold mixer plus integral 5 bar pressure limiting and dual check valve, 0.2 micron water filter, air cooled refrigeration system with cleanable lint filter, an interactive touch screen display with password protection and two boiling-water safety modes.” Quality ISO 9001

Alternative: installed away from sink on a ZT008 ‘font’.

Zip HydroTap 4-In-1 models with new Zip G4 power-saving technology.

Zip Model		Boiling Cups/hr	Chilled glasses/hr	Rating (kW) @ 230 V	Dimensions W x D x H (mm)	
Classic						
BCH160/125G4	BCHT160/125G4	BCHS160/125G4	160	125	2.05	450 x 470 x 335
BCH160/175G4	BCHT160/175G4	BCHS160/175G4	160	175	2.1	450 x 470 x 335
BCH240/175G4	BCHT240/175G4	BCHS240/175G4	240	175	2.1 + 2.2 (b)	450 x 470 x 335

Standard Cup = 167 ml. Standard Glass = 200 ml. (a) Order codes shown here are for models installed on a sink. To install boiling/chilled on a ‘font’ also specify a font kit: order code ZT008. (b) Model 240/175G4 is installed with an externally mounted 2.2 kW booster unit and must be connected to two separate 13 amp fused spurs.



Boiling System

Open outlet, vented system, factory set to operate at 98°C.
Flow rate 4.0 l/min.

Chilling System

Fan-cooled condenser type, factory set to operate at 5-9°C.
Flow rate 4.0 l/min.
Refrigerant R134a.

Location

Both taps should be positioned so they drain into a suitable sink. Alternatively the boiling/chilled tap can be installed away from any sink on its own 'font'.

The boiling/chilled tap should be situated as closely as possible to directly above the under-sink Command Centre. Maximum distance from the base of the tap to the Command Centre is one metre. Command Centre must have clearances as shown on the drawings. Ventilation accessories (supplied) must be installed as per instructions.

Plumbing

Must be installed in accordance with UK Water Supply Regulations.

Designed for direct connection to a potable (drinkable) cold water supply with a minimum pressure of 2.0 bar. A 5 bar pressure limiting valve is fitted internally. An isolating valve should be installed between the water supply and the Command Centre.

Electrical

Installation must comply with current IEE regulations.

Models 160/125 and 160/175 to be wired to a double pole 13 amp fused spur. Model 240/175 is installed with an externally mounted 2.2kW booster unit and must be connected to two separate double pole 13 amp fused spurs.

Caution

In hard water areas where mineral scale accumulation may be an issue, consideration should be given to the maintenance required.

We recommend use of the Zip Professional high performance limescale filtration system.

Accessories

ZT008– Zip G4 font installation kit.

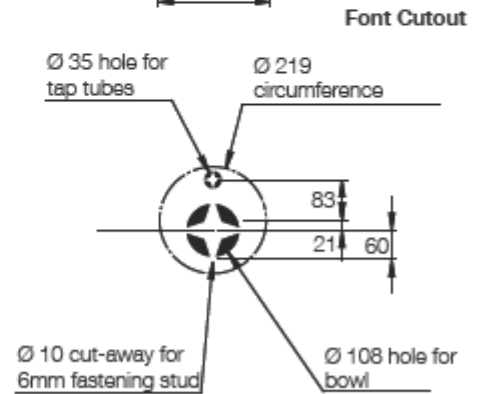
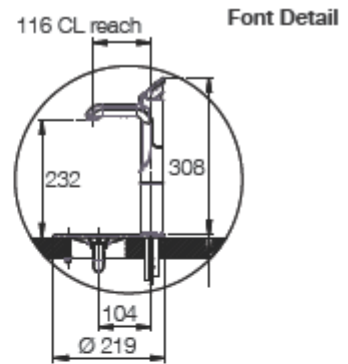
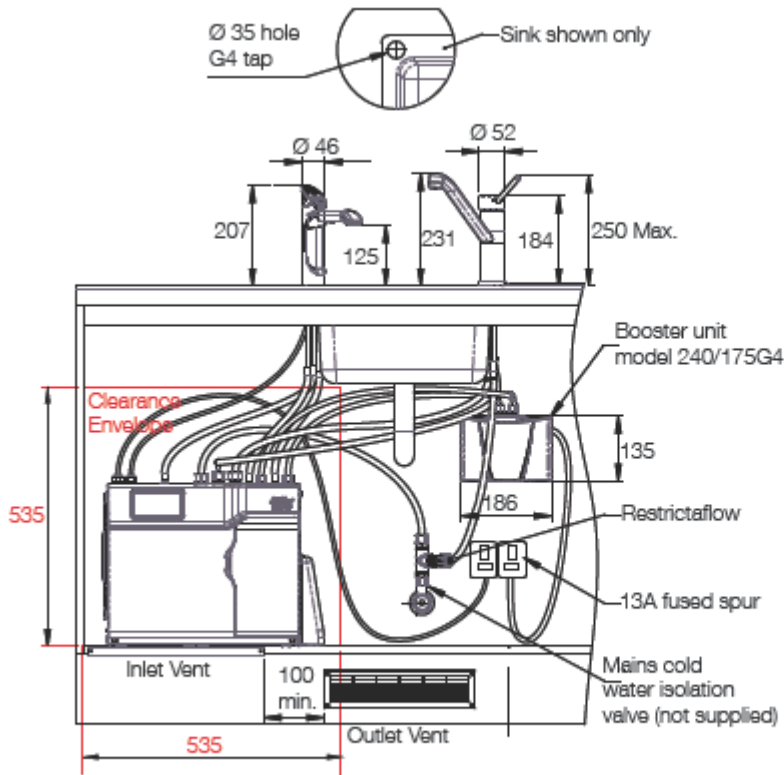
ZT402 – Zip 0.2 micron replacement filter. To order any model to be supplied with extension levers and Braille pads, add D to the end of the Order Code.

Approvals

CE endorsed

Warranty

Appliance warranty 24 months, plus additional 36 months tank warranty. See website for details.



Dimensions in mm

Zip Specification Sheet Z0544 - April 2014

As Zip policy is one of continuous product improvement changes to specifications may be made without prior notice. The terms 'Zip', 'Power-Pulse', 'HydroTap' and 'Command Centre' are trade marks.

37A Villa Wood Road
 Dromore
 Co Down
 N Ireland
 Northern Ireland
 BT25 1LG
 t: 028 92 699200
 f: 028 92 692745

www.spatec.co.uk
 e: info@spatec.co.uk.com