

SPEC SHEET - HT1713UK

# Zip HydroTap All-in-One Classic

**FILTERED: BOILING CHILLED**  
**UNFILTERED: HOT & COLD**

The robust HydroTap All-in-One offers filtered boiling, chilled and sparkling water, plus unfiltered hot and cold water from a single tap. Installed over the sink, its design is perfect for specifiers looking to blend contemporary aesthetics with industrial elements.



**STANDARD**



MODEL	MIXED HOT AND COLD	FILTRATION 0.2 MICRON	FONT	CO <sub>2</sub>	POWER RATING	COMMAND CENTRE DIMENSIONS W X D X H
HT1713UK	Y	Y	N	N	2.2 kW @ 230V	450mm x 470mm x 335mm

For details of the alternative tap finishes and accessories please see the 'Accessories' section

## Features and benefits

### Advanced filtration

Integral 0.2 micron NSF certified Zip MicroPurity filtration system offers 25 times better filtration than a standard water filter jug, eliminating bad taste and odour of chlorine, heavy metals and impurities as tiny as one five-thousandth of a millimetre, but leaving beneficial fluoride.

### Power-Pulse™ technology

Reduces energy consumption by allowing the system to regulate its power during periods of high and low usage.

### Unique safety features

The Zip HydroTap is designed with safety front of mind, with boiling isolation, cool touch tap and safety lock features.

### Touchscreen diagnostics

The compact under-counter unit includes a simple PIN code protected touchscreen that puts the user in total control of the system, including temperature, dispensing time, safety features, energy-saving settings and continuous auto-diagnostics.



## Product detail

---

### Specification type

---

Product code	HT1713UK
Product name	HydroTap G4 All-in-One Classic boiling chilled 160/175 plus hot & cold mains bright chrome for work

---

### Capacity, weights & dimensions

---

Water functions	Boiling, Chilled
Boiling capacity	160 Cups per hour
Chilled capacity	175 Glasses per hour
Unit dimension (W x D x H)	450mm x 470mm x 335mm
Product weight - empty / full	28kg / 33kg

---

### Plumbing

---

Wholesome water inlet supply required	Cold Feed
Supply pressure range	1.7bar - 5bar
Supply connection (hot & cold)	1 x isolated 1/2" BSP fitting (flexible supply hoses included)
Installation	Must comply with current water supply regulations

---

### Electrical

---

Command centre power rating	2.2 kW @ 230V
Voltage supply	230v 50/60 Hz amps
Power supply requirements	1 x 13amp socket outlet
Cable length	1.8m fitted with UK standard 3-pin plug
Installation	Must comply with current IEE regulations

---

**37a Villa Wood Road, Dromore, County Down N Ireland BT25 1LG**  
**[www.spatec.co.uk](http://www.spatec.co.uk) [info@spatec.co.uk](mailto:info@spatec.co.uk)**  
**t: 0044 (0) 28 9269 9200 f: 0044 (0) 28 9269 2745**

## Tap design

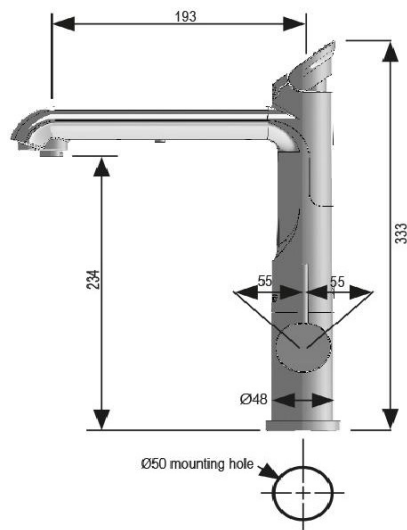
Style	HydroTap All-in-One Classic
Finish	Bright Chrome
Installation hole cut size	50mm
Rotation	180 degree
Disability options	No
Country of Origin	Australia

## Command centre

Factory temperature boiling	98°C
Factory temperature chilled	3-5°C
Filtration	0.2 Micron Filter Cartridge
Flow rate	3-4 l/min
Wholesome water supply requirements	Cold Feed
Refrigerant	R134a
Tank material	Stainless Steel
Country of origin	Australia

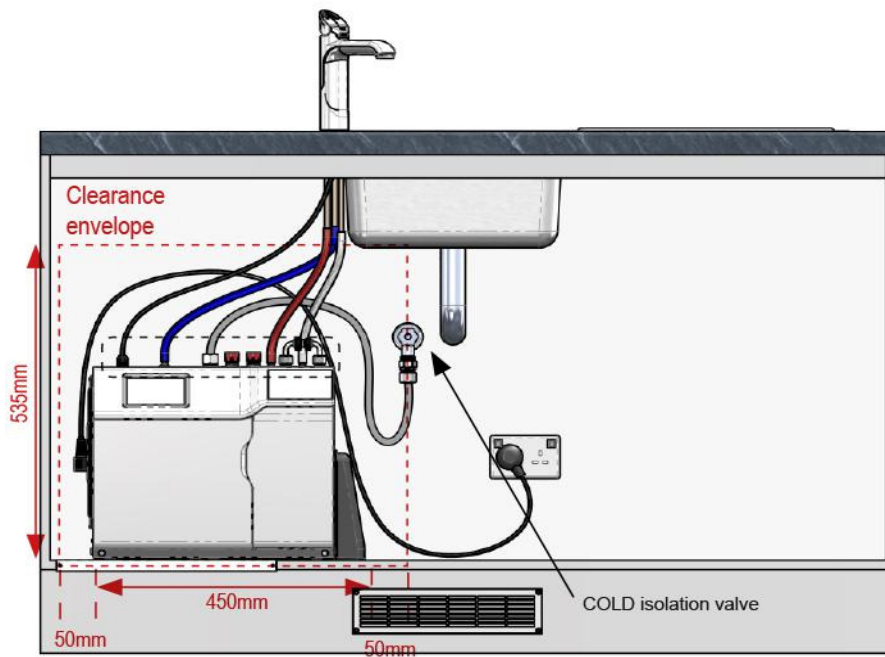
**37a Villa Wood Road, Dromore, County Down N Ireland BT25 1LG**  
**[www.spatec.co.uk](http://www.spatec.co.uk) [info@spatec.co.uk](mailto:info@spatec.co.uk)**  
**t: 0044 (0) 28 9269 9200 f: 0044 (0) 28 9269 2745**

## Tap installation



## Under-counter unit installation

Clearance space required  
for under counter unit



**37a Villa Wood Road, Dromore, County Down N Ireland BT25 1LG**  
**[www.spatec.co.uk](http://www.spatec.co.uk) [info@spatec.co.uk](mailto:info@spatec.co.uk)**  
**t: 0044 (0) 28 9269 9200 f: 0044 (0) 28 9269 2745**