

Zip HydroTap Classic Plus



FILTERED: **BOILING** AMBIENT

The world's most advanced drinking water system, the HydroTap Classic Plus delivers a choice of instant filtered boiling and ambient water for workplaces of all sizes. From a single tap and under counter command centre, the Classic Plus dispenses only the purest tasting water, filtered to a market-leading 0.2 micron - 25 times more effective than a standard water filter jug. To prioritise user safety, the HydroTap doesn't splash or spit when dispensing water, and features two boiling water safety modes and a cool to touch tap. What's more, the HydroTap features superior technology to conserve water while saving energy and time.



Actual product may vary slightly depending on functionality.

The image shown is a representation only.

STANDARD



MODEL	MIXED HOT AND COLD	FILTRATION 0.2 MICRON	FONT	CO ₂	NOMINAL POWER RATING KW	COMMAND CENTRE DIMENSIONS WxDxH
H55709Z00UK	N	Y	Y	N	1.9 kW @ 230V AC	280mm x 313mm x 333mm

For details of the alternative tap finishes and accessories please see the 'Accessories' section

Features and benefits

Advanced filtration

Maintains existing protective levels of chlorine whilst removing sediment and cysts. This level of filtration includes the removal of dirt, lead, microplastics & 99.9% of microbiological cysts.

Environmentally conscious operation

The HydroTap boasts a range of eco-friendly functionalities, including water conserving air cooling technology, the use of zero-impact refrigerant gas R290 and energy saving sleep modes.

Unique user-safety options

The Zip HydroTap is designed with safety in mind, with boiling isolation, cool touch tap and safety lock features. The boiling point is factory set to 98 degrees celsius, to avoid spluttering steam.

Enhanced hygiene

The 5th generation HydroTap command centre has SteriTouch[®] embedded throughout the water path. This reduces surface bacteria by 99.99% providing extra protection.

Product detail

Specification type

Product code	H55709Z00UK
Product name	HydroTap G5 Classic Plus boiling ambient 240 bright chrome for work

Capacity, weights & dimensions

Water functions	Boiling, Ambient
Boosted boiling capacity	240 Cups per hour
Unit dimension (W x D x H)	280mm x 313mm x 333mm
Product weight - empty / full	13kg / 14kg

Plumbing

Wholesome water inlet supply required	Cold Feed
Supply pressure range	1.7bar - 5bar
Supply connection (hot & cold)	1 x isolated 1/2"BSP BSP fitting (flexible supply hoses included)
Installation	Must comply with current water supply regulations

The minimum water pressure will vary if a limescale filter is installed. Please contact us to discuss your requirements.

Electrical

Command centre power rating	1.9 kW @ 230V AC
Booster power rating	2.2 kW @ 230V
Voltage supply	13 amps
Power supply requirements	2 x 13amp socket outlet
Cable length	1.8m fitted with UK standard 3-pin plug
Installation	Must comply with current IEE regulations

Tap design

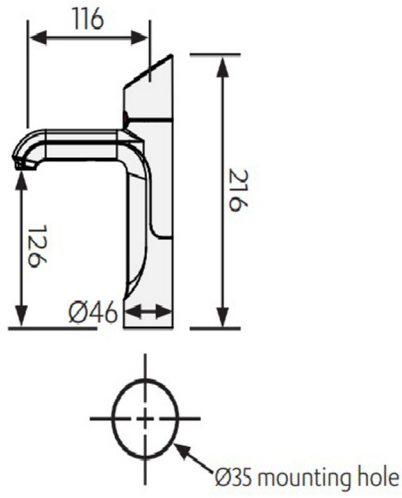
Style	HydroTap Classic Plus
Finish	Bright Chrome
Installation hole cut size	35mm
Rotation	Fixed
Disability options	No
Country of Origin	Australia

Command centre

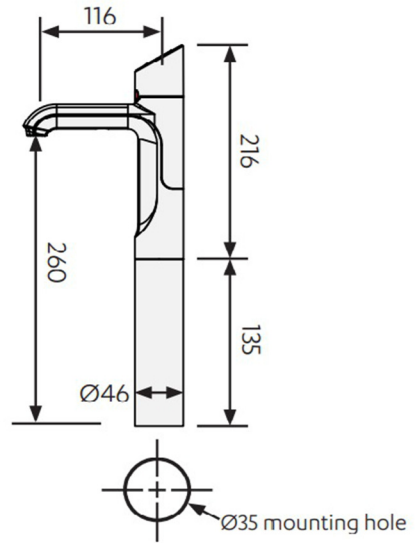
Factory temperature boiling	98°C
Filtration	0.2 Micron Filter Cartridge
Flow rate (Boiling)	4 l/min
Wholesome water supply requirements	Cold Feed
Tank material	Stainless Steel
Country of origin	Australia

Tap installation

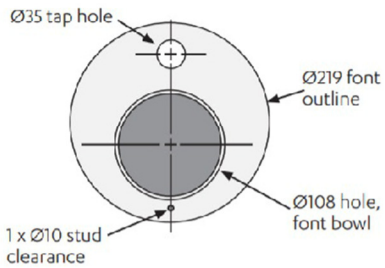
Classic Plus



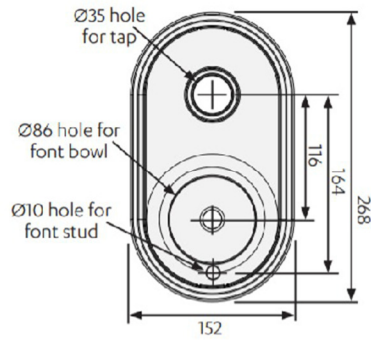
Classic Plus + extension



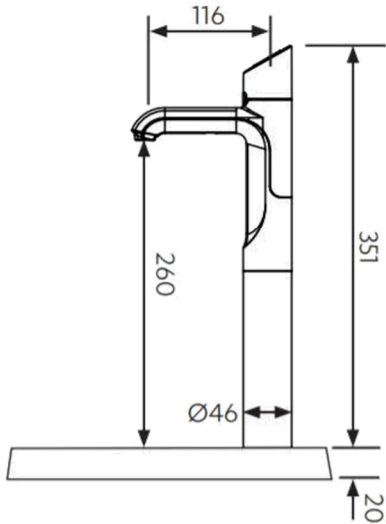
Integrated font



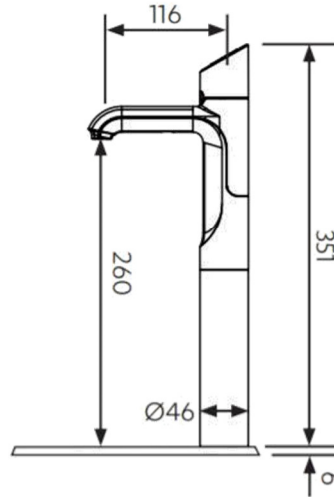
Raised Font



Classic Plus on Raised font

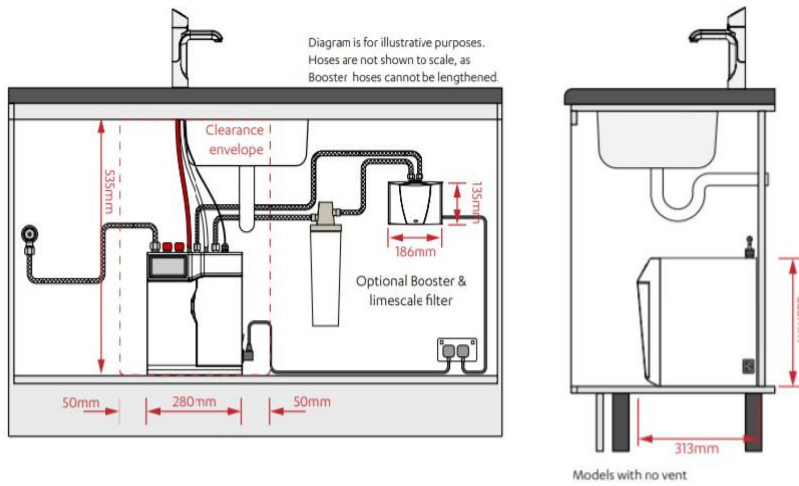


Classic Plus on Classic font









Under-counter unit installation

Clearance space required for under counter unit



Accessories

Visit specify.zipwater.co.uk to find out more information about Zip HydroTap Classic Plus Accessories

Image	SKU	Title
	95258	Bright chrome G5 raised font kit
	90915UK	Integrated tap font for HydroTap Classic Plus & Wave bright chrome
	FL500 KIT	Limescale prevention filter kit 3,750 litres
	FL1000 KIT	Limescale prevention filter kit 7,000 litres
	FL1500 KIT	Limescale prevention filter kit 10,000 litres
	FL2000 KIT	Limescale prevention filter kit 16,500 litres